

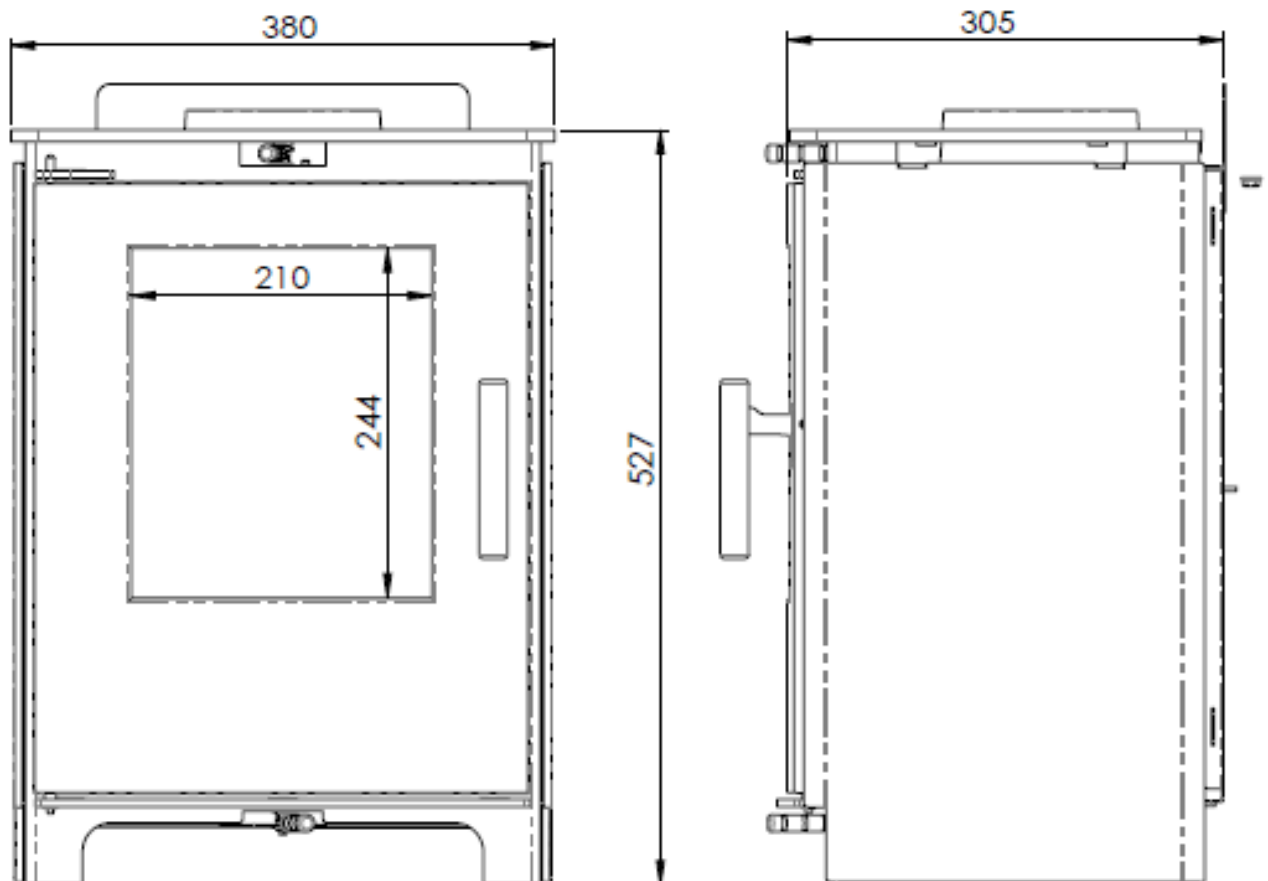
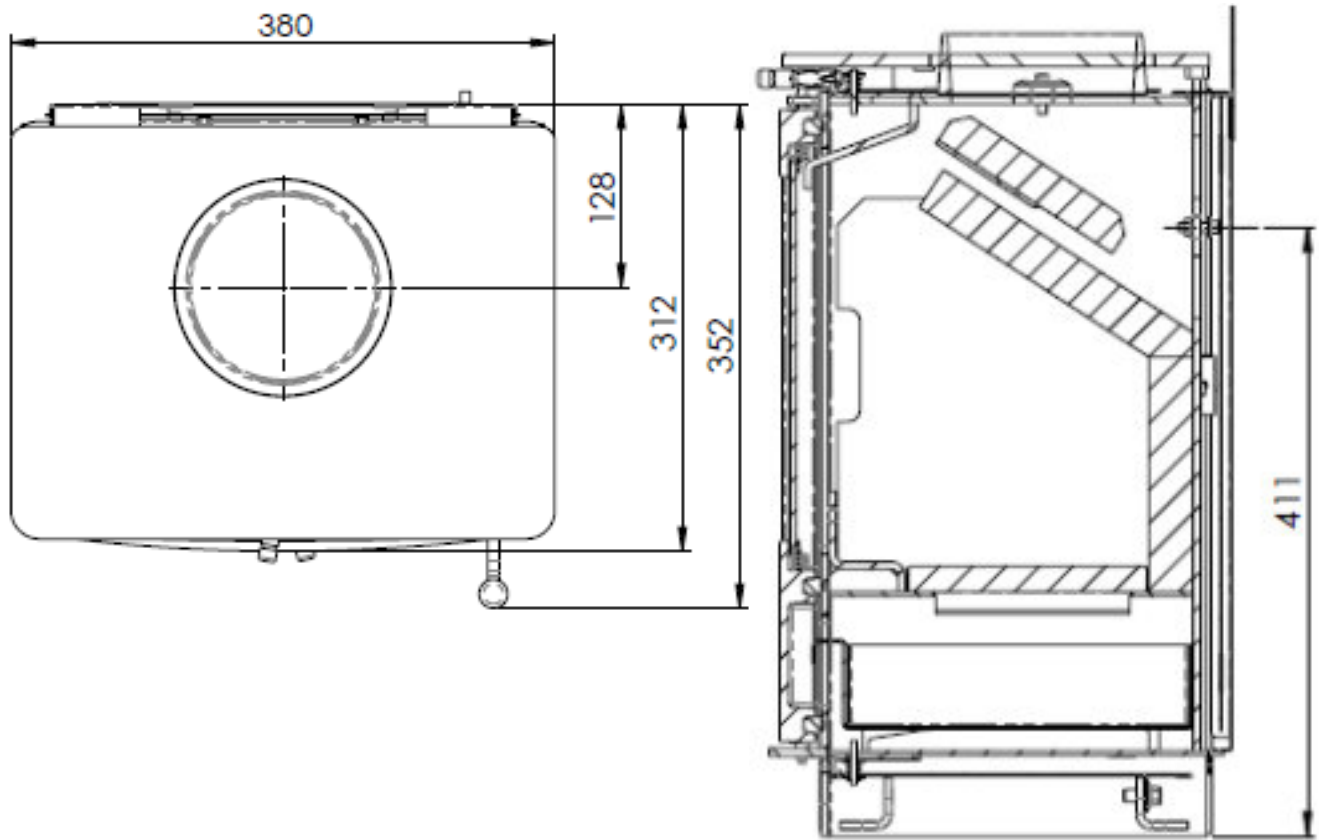
OPERATION AND INSTALLATION MANUAL

Multi-fuel and SE (smoke exempt) models

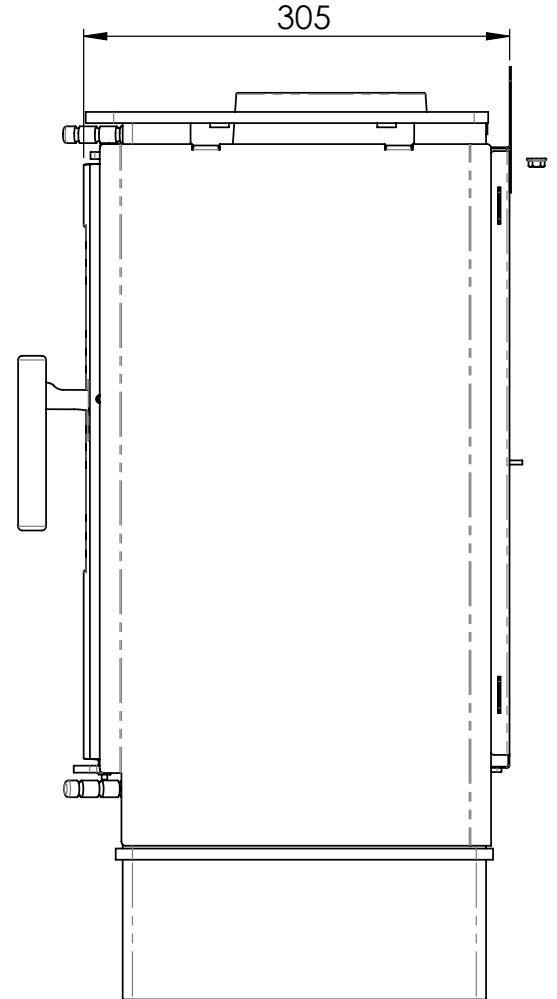
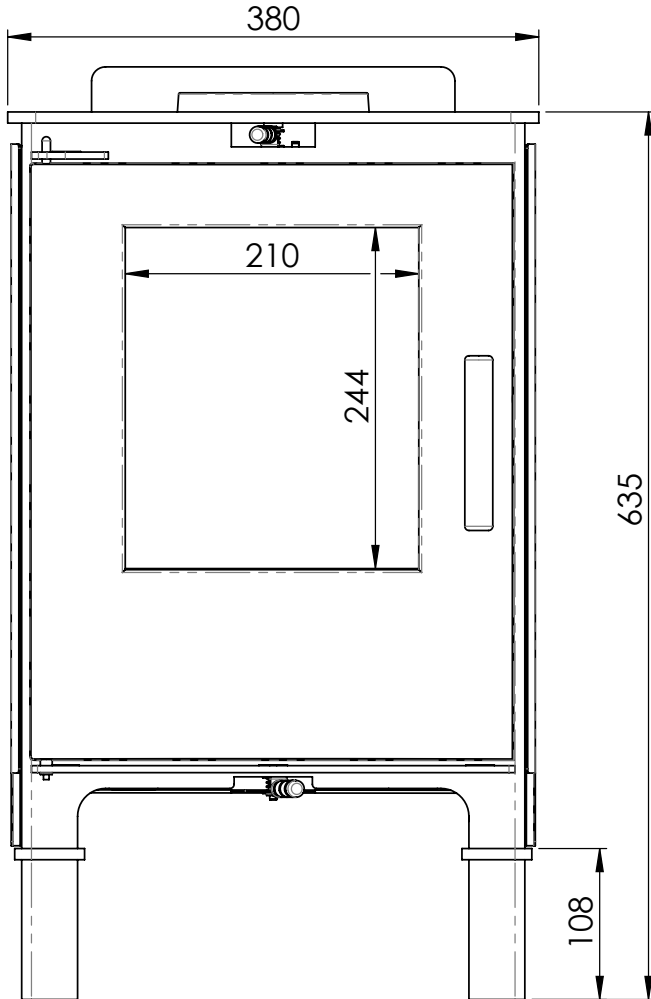
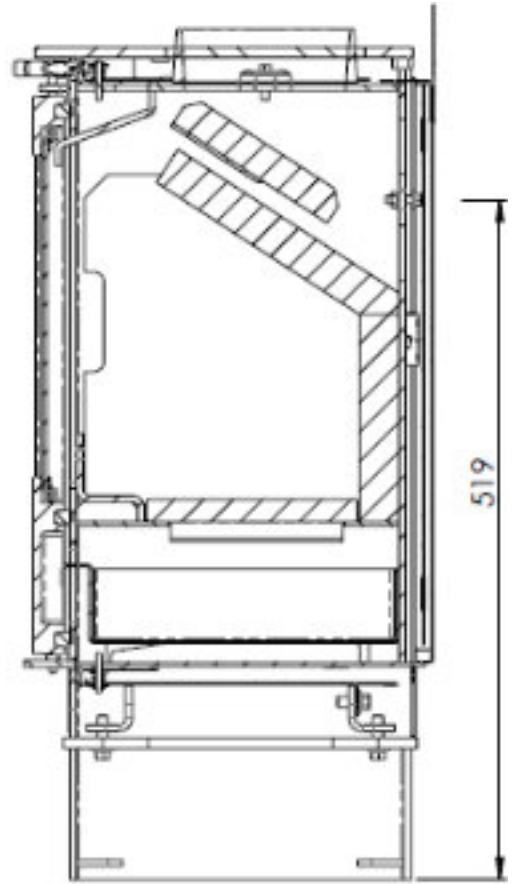
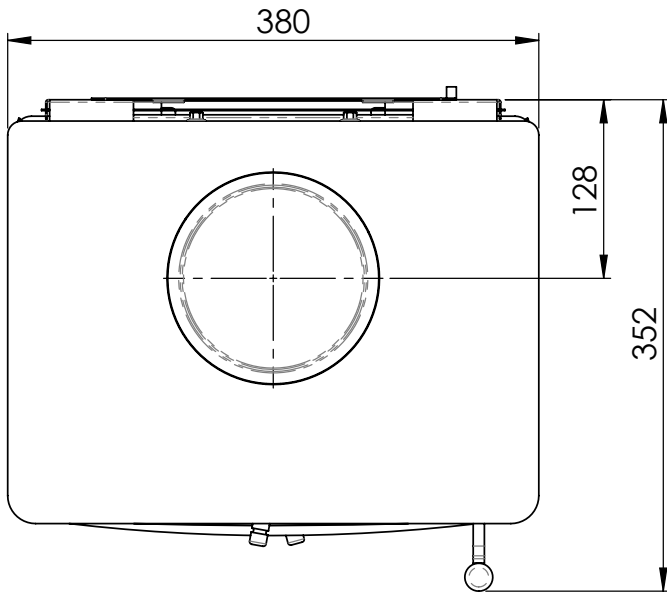


Loxton 3 (smoke exempt),

STOVE DIMENSIONS AND MEASUREMENTS -LOXTON 3 + CONVECTOR PLUS



STOVE DIMENSIONS AND MEASUREMENTS LOXTON 3 + LOGSTORE + CONVECTOR PLUS



MENDIP STOVES WARRANTY

5 Year Extended Warranty

If you have purchased your stove from a Mendip Stoves registered retailer, then your stove will carry a 2 year warranty as standard. The 2 year warranty can be further extended to a total warranty period of 5 years by registering your Mendip Stove within one month of the latter of the purchase date or installation date. Accordingly, the start date for the warranty period is the date of purchase. During the registration process, the Registered Retailer details will be required for your Extended Warranty to be activated. Any product purchased outside of our registered Retailer Network will carry a standard 12 month, non-extendable warranty. It is a condition of the Extended Warranty that the installation complies with the relevant Building Regulations and is carried out by a suitably trained and qualified individual (HETAS in the UK or equivalent in other countries) with the certificate of installation and proof of purchase supplied. Full terms and conditions are detailed in the Warranty Statement on the Eurostove website www.eurostove.co.uk. In the event of any conflict of information the wording on the website shall prevail. Important Note: Should any problems be experienced with your product, claims must first be submitted to the Retailer where the appliance was purchased from who will offer immediate assistance or contact Eurostove on your behalf .



Register online today to activate warranty: [online](http://www.mendipstoves.co.uk/SIT/StoveRegistration).

<http://www.mendipstoves.co.uk/SIT/StoveRegistration>

INSTALLATION MANUAL AND OPERATING INSTRUCTIONS

This manual refers to the stoves listed above, which are tested in accordance with EN 13240.

Congratulations on your purchase of a new stove from Mendip Stoves. Please read this manual carefully to ensure that you get maximum enjoyment from your new stove and to prevent any problems. Please note that "all local regulations, including those referring to national and European Standards, need to be complied with when installing this appliance". For further information on installing and using fireplaces and wood burning stoves, please see the relevant building regulations that apply to the country in which the Loxton has been approved, as well as the relevant brochure on the correct use of wood burning stoves available from your local stove supplier or your Chimney sweep.

These instructions cover the basic principals to ensure the satisfactory installation for Loxton multi-fuel stove, although detail may need slight modification to suit particular local site conditions.

	Height	Width	Depth	Weight
Loxton 3	527mm	380mm	305mm	60kg
Loxton 3 + Logstore	635mm	380mm	305mm	70kg

IMPORTANT:

These instructions cover the basic principles to ensure the satisfactory installation of the Mendip Stoves Loxton models, although details may need slight modification to suit a particular local site conditions. In all cases the installation must comply with current Building Regulations, Local Authority Byelaws and other specifications or regulations as they affect the installation of the stove.

It should be noted that the Building Regulations requirements may be met by adopting the relevant recommendations given in British Standards BS 8303, BS EN 15287 as an alternative means to achieve an equivalent level of performance to that obtained following the guidance given in Approved Document J.

Fireguards

The use of a fireguard to BS 8423:2002 in the presence of children, aged and/or infirm persons is essential for their safety, even when the stove is not in use.

The glass on the stove is ceramic glass and able to withstand very high temperatures however it is not toughened and a hard impact could cause the glass to break.

HEALTH AND SAFETY PRECAUTIONS

INFORMATION FOR THE USER, INSTALLER AND SERVICE ENGINEER

Special care must be taken when installing the stove such that the requirements of the Health and Safety at Work Act are met.

Handling

Adequate facilities must be available for loading, unloading and site handling.

Fire Cement

Some types of fire cement are caustic and should not be allowed to come into contact with the skin. In case of contact wash immediately with plenty of water.

PREPARATORY WORK AND SAFETY CHECKS

IMPORTANT WARNING

This stove must not be installed into a chimney that serves any other heating appliance. There must not be an extractor fan fitted in the same room as the stove because this can cause the stove to emit fumes into the room.

Asbestos

This stove contains no asbestos. If there is a possibility of disturbing any asbestos in the course of installation then please seek specialist guidance and use appropriate protective equipment.

Metal Parts

When installing or servicing this stove care should be taken to avoid the possibility of personal injury.

CO Alarms:-

Building regulations require that when ever a new or replacement fixed solid fuel or wood/biomass appliance is installed in a dwelling a carbon monoxide alarm must be fitted in the same room as the appliance. Further guidance on the installation of the carbon monoxide alarm is available in BS EN 50292:2002 and from the alarm manufacturer's instructions. **Provision of an alarm must not be considered a substitute for either installing the appliance correctly or ensuring regular servicing and maintenance of the appliance and chimney system.**

Stove paint Aerosols

Paint aerosols are flammable and therefore dangerous to use around a lit stove. Be sure to allow aerosol spray paints to dry and ventilate the room well before lighting the stove. The use of any aerosol around a lit stove is dangerous and care must be take in handling aerosols.

STOVE PERFORMANCE & TESTING

Mendip Stoves are approved and tested in accordance with EN 13240.

	Output wood fuel	Efficiency	CO @13% O ²	Recommended for smoke control	Minimum Position air stop SE model	Output coal fuel	Efficiency	CO @13% O ²
Loxton 3	4.0kw	78.4%	0.05	Yes / SE model	10% (5mm min air)	4.3kW	81.3%	0.04

Stove model	Weight & Log length	Nominal heat output for Wood	Smokeless fuels	Coal reload	Weight coal (anth)
Loxton 3	20cm	Wood reload	Weight wood load	Wood Size	1.2kg
		0.75hr	1.2kg	25 x 7 x 10cm	1hr

Chimney Connection

In order for the stove to perform satisfactorily the chimney height must be sufficient to ensure an adequate draught to clear the products of combustion and prevent smoke problems into the room.

Tested Gas flow rates flue gas temperatures	Flue gas flow rate Wood /coal	Test flue gas temperature wood /coal	@ pascals of pressure
Loxton 3	3.4/2.8g/sec	300/241 deg C	12 pa

Mendip	Output Range kW	CO @13% O ² Wood/coal	Particulate matter @13% O ² Nmg/mm ³ Wood/coal	Nox @13% O ² Nmg/mm ³ Wood/coal	CnHm @13% Nmg/mm ³ Wood/coal	2022 compliant
Loxton 3	3-5kW	0.05/0.04	22/13	98/122	47/27	YES

FLUE & CHIMNEY CONNECTION TO STOVE

The outlet from the chimney should be above the roof of the building in accordance with the provisions of Building Regulations Approved Document J. If installation is into an existing chimney then it must be sound and have no cracks or other faults which might allow fumes into the house. Older properties, especially, may have chimney faults or the cross section may be too large .

Mendip Stoves recommend the use of a solid fuel flue lining system for all installations into existing chimneys. All chimney systems must be used in accordance with Building Regulations Approved Document J.

If an existing chimney is used the chimney must be clear of obstruction and be swept clean immediately before installation of the stove. The chimney should be tested to confirm it will provide the correct chimney pressure for the stove. If the stove is fitted in place of an open fire the chimney should be swept one month after installation to clear any soot falls which may have occurred due to the difference in combustion between the stove and the open fire. If there is no existing chimney then either a prefabricated block chimney in accordance with Building Regulations Approved Document J or a twin walled insulated stainless steel flue to BS 1856-1.

Insulated chimneys must be fitted in accordance with the manufacturer's instructions and Building Regulations. A single wall metal flue pipe is suitable for connecting the stove to the chimney but is not suitable for using for the complete chimney. The connecting flue pipe must have a minimum diameter of 125 mm and its dimension should be not less than the size of the outlet socket of the stove. Registered smoke exempt models burning wood only can be installed on a flue of 125mm throughout. Any bend in the chimney or connecting flue pipe should not exceed 45 °. 90° bends should not be used other than within 150 mm of the stove rear flue outlet. A chimney height of not less than 4.5 metres measured vertically from the outlet of the stove to the top of the chimney should be satisfactory. Alternatively the calculation procedure given in BS5854:1980 may be used as the basis for deciding whether a particular chimney design will provide sufficient draught.

If it is found that there is excessive draught in the chimney then a draught stabiliser should be fitted. If an adjustable flue damper is fitted it should not close off the flue entirely but should in its closed position leave a minimum continuous opening free area of at least 20 % of the total cross sectional area of the flue or flue pipe. Adequate provision (e.g. easily accessible soot door or doors) must be provided for sweeping the chimney and connecting flue pipe.

Your appliance needs to be maintained routinely and the throat plate/baffle should be cleaned regularly (monthly) The flue pipe can be cleaned using a flexible brush. Only use a dry cloth on external surfaces. Over time the glass may become dirty. It can be cleaned with a damp cloth and polished off with dry cloth. If the stove has not been used for some time the flue should be checked for blockages before use. Do not modify the appliance. Only use spares authorised by the manufacturer should be fitted installed.

NOTE: A chimney height of not less than 4.5 metres measured vertically from the outlet of the stove to the top of the chimney should be satisfactory. Alternately the calculation procedure given in BS 5854:1980 may be used as the basis for deciding whether a particular chimney design will provide sufficient draught.

DISTANCE TO NON COMBUSTIBLE MATERIALS

The stove can be recessed in a suitable sized non - combustible fireplace but a permanent free air gap of at least 50mm must be left around the sides and top and at least 50mm at the back of the stove to obtain reasonable heat output and for access to the stove for removal and maintenance. A clearance of 100mm will give a better heat output.

All non - combustible walls closer than 100mm to the stove should be at least 75mm thick. For practical reasons the back wall of the fireplace recess and the hearth should ideally be made of a non-combustible material. When installing a your stove in a non combustible chamber combustible materials should not be located where the heat dissipating through the walls of fireplaces or flues could ignite it. Therefore when installing the stove in the presence of combustible materials due account must be taken of the guidance on the separation of combustible material given in Building Regulations Approved Document J and also in these stove instructions. The minimum distances to flammable materials are specified on the EN 13240 plate on the back of the stove

	Distance to combustibles rear with flue convector plate fitted.	Distance to combustibles sides	Suitable for 12mm floor plate
Loxton 3 / + Logstore	125mm	450mm	YES
Loxton 3 + Convector / + logstore	125mm	350mm	YES

HEARTH

The hearth should be able to accommodate the weight of the stove and its chimney if the chimney is not independently supported.

Mendip stoves have been tested and are suitable to be installed on a 12mm non combustible plate such as 12 mm glass plates . Installation of all hearths should comply in size and construction so that they are in accordance with the provisions of the current Building Regulations Approved Document J.

The clearance distances to combustible material beneath, surrounding or on the hearth and walls adjacent to the hearth should comply with the guidance on the separation of combustible material given in Building Regulations Approved Document J and also in these stove instructions.

If the stove is to be installed on a wooden floor, it must be covered with a non-combustible material at least 12 mm thick, in accordance with Building Regulations Approved Document J, to a distance of 30 cm in front of the stove and 15 cm to each side measuring from the door of the combustion chamber.

COMBUSTION AIR

In order for the stove to perform efficiently and safely there should be an adequate air supply into the room in which the stove is installed to provide combustion air. This is particularly necessary if the room is double-glazed or a flue draught stabiliser is operating in the same room as the appliance. The provision of air supply to the stove must be in accordance with current Building Regulations Approved Document J. An opening window is not appropriate for this purpose. Air inlets must be positioned in such a way that they cannot be blocked. An air inlet may be a vent (the vent must be open and the capacity for the vent sufficient when the stove is lit). There are no European rules regarding the minimum distance to non-flammable walls, Mendip Stoves recommend leaving a minimum distance of 50mm to non combustible walls, but preferably a distance of 10 cm is better for heat distribution.

COMMISSIONING AND HANDOVER

Ensure loose parts are fitted in accordance with the instructions given in the instruction booklet. On completion of the installation allow a suitable period of time for any fire cement, silicone and mortar to dry out. A small fire may be lit to check that smoke and fumes are taken from the stove up the chimney and emitted safely into the atmosphere. Do not run at full output for at least 24 hours. On completion of the installation and commissioning ensure that the operating instructions for the stove are left with the customer. Ensure to advise the customer on the correct use of the appliance with the fuels likely to be used in the stove and notify them to use only the recommended fuels for the stove. Advise the user what to do should smoke or fumes be emitted from the stove. The customer should be warned to use a fireguard to BS 8423:2002 in the presence of children, aged and/or infirm persons.

INSULATED CHAMBERS

Mendip Stoves are lined with vermiculite heat deflection panels and baffles, these panels are designed to ensure the maximum efficiency and are an integral part of the clean burn process of the stove. These baffles should not be removed other than for cleaning the stove. Any defective panels should be replaced, cracks less than 2mm wide are not classed as a defect. Place fuel carefully in fire chamber of your stove, impact from logs can damage these panels.

CONNECTION TO CHIMNEY

Mendip Stoves are factory set up with a top flue outlet. This can be altered from top to rear connection, remove the top collar and rear cover plate and exchanging collar and plate. Care should be taken to ensure an airtight fit when refitting collar and plate. A decorative cover plate is included with every stove to cover the hole in the convection top plate. This collar allows connection to either a masonry chimney or a prefabricated factory made insulated metal chimney.

OPERATING YOUR STOVE - SUITABLE FUELS - LOXTON 3

The Mendip Loxton 3 model is tested to burn wood or smokeless briquetted fuel and wood briquettes. For a full list of suitable fuels, check with the official solid fuels approvals body, HETAS or Solid Fuel Association. Do not overload stove as this can cause excessive heat and damage the stove(see table on page 4).

ALWAYS KEEP FUEL LOAD BELOW TERTIARY PORTS AT REAR OF STOVE.

Only use fuels approved for use on heating stoves.

Do not burn liquid fuels, drift wood, finished wood, sawn wood, pallet wood, chipboard/plywood, varnished wood or plastic coated wood, wood treated with preservatives, or house hold waste.

DO NOT EXCEED THE SPECIFIED FUEL WEIGHTS.

DO NOT BURN HOUSE COAL or PETROLEUM COKE. DO NOT BURN HOUSEHOLD WASTE, THIS APPLIANCE IS NOT AN INCINERATOR. MENDIP STOVES RECOMMEND THE USE OF A FLUE THERMOSTAT TO CHECK YOUR STOVE IS NOT OVERHEATING. PLACE THE FLUE THERMOSTAT DIRECTLY ABOVE THE COLLAR OF THE STOVE AND REFER TO THE TEMPERATURE GAUGE ON

PAGE 4.

LIGHTING YOUR STOVE FOR THE FIRST TIME

Before lighting your stove for first time make sure you have read this manual fully and acquainted yourself with the controls of this appliance. (see page 10)

The heat-resistant paint on your stove will cure and harden the first time you light your appliance. The curing process produces a good deal of smoke and odour, it is therefore important that the first time you light your stove the room should be well ventilated. During the process it is important to open and close the stove door periodically (every 30 minutes) during the first couple of firings therefore preventing the door seal cord around the door from sticking and coming away from the door.

Once the heat-resistant paint has hardened the smell will disappear. This stove is NOT designed to be used with the door open. The stove door must be kept closed except when lighting the stove, adding firewood or removing ash in order to prevent flue gases from escaping.

Lighting your appliance

Quality Firelighters should be used when lighting the stove. **Never use methylated spirit, petrol or other flammable liquids.**

Lighting your stove with firelighters will be more reliable, produce less smoke and easier than using paper.

HOW TO LIGHT YOUR WOODBURNING STOVE

1. Place two small dry split logs ($\frac{1}{4}$ split) on the fire bed. Kindling stacked, as in the picture, allowing combustion air to flow freely and will aid ignition. On top of the kindling two or more non toxic firelighters.



2. Open the air controls fully by sliding both levers to the right. The secondary air control is above the stove door and the primary control is below the door. The stove air controls are now fully open.

3. Light the firelighters and push door to closed position. It maybe necessary to unlatch the door until good ignition has been achieved. Then latch the door so it is fully closed. Never leave the stove unattended with the door unlatched.

4. Once the flames from the logs are fully established slide the primary air slider (below door) to the left , this closes off the primary air.

5. If the stove begins to die down and smoke when the primary is fully closed, open the primary slider again until fire is well established and then close the primary slider again.

6. Once established close the secondary air slider by 50%, for the stove to burn cleanly plenty of secondary air is needed, do not be tempted to shut the fire down too early as this may cause smoke. At nominal heat output, expect to refuel your stove approximately once an hour. Check load weights for your model on the table on page 4.

The stove will get very hot during use and due care must therefore be exercised. Please use the glove and operating tool supplied when operating air controls and door.

RE-FUELLING WHEN BURNING WOOD

To re-fuel your stove in the cleanest way.

Only refuel your stove when the flames have died down and you have glowing embers.

Before refuelling, open the secondary air slider fully .

Open the door gently. Add two pieces of wood (see weight table page 4) and close the door.

Once the flames from the logs are fully established the secondary air supply can be adjusted to the desired setting.

BURNING WOOD IN A SMOKE CONTROL AREA

You must purchase a smoke control version of the Mendip stove which is modified slightly to comply with regulations. Any change to this modification will invalidate the stoves compliance for smoke control areas.

The Clean Air Act 1993 and Smoke Control Areas

Under the Clean Air Act local authorities may declare the whole or part of the district of the authority to be a smoke control area. It is an offence to emit smoke from a chimney of a building, from a furnace or from any fixed boiler if located in a designated smoke control area. It is also an offence to acquire an "unauthorised fuel" for use within a smoke control area unless it is used in an "exempt" appliance ("exempted" from the controls which generally apply in the smoke control area).

In England appliances are exempted by publication on a list by the Secretary of State in accordance with changes made to sections 20 and 21 of the Clean Air Act 1993 by section 15 of the Deregulation Act 2015. In Scotland appliances are exempted by publication on a list by Scottish Ministers under section 50 of the Regulatory Reform (Scotland) Act 2014. Similarly, In Northern Ireland appliances are exempted by publication on a list by the Department of Agriculture, Environment and Rural Affairs under Section 16 of the Environmental Better regulation Act (Northern Ireland) 2016. In Wales appliances are exempted by regulation made by Welsh Ministers.

Further information on the requirements of the Clean Air Act can be found here: <https://www.gov.uk/smoke-control-area-rules>. Your local authority is responsible for implementing the Clean Air Act 1993 including designation and supervision of smoke control areas and you can contact them for details of Clean Air Act requirements. The LOXTON 3 stove has been recommended a suitable for use in smoke control areas when burning wood logs. The appliance has been fitted with a modification to fix the air controls at 10% (5mm) open in its minimum position, alterations should not be attempted. Mendip smoke control stoves should not be burnt with the door left open.

The refuelling procedure : - allow the newly charged fuel to burn with the secondary air control set at maximum for up 3 to 4minutes. After this period, with flames from the logs fully established, close the secondary air supply to the low output setting. When operating at high output (secondary air set fully open) the new refuel charge does not require any boost air to establish combustion.

Only specific models are suitable for smoke control areas (see page 4), alterations should not be attempted. Mendip smoke control stoves should not be burnt with the door left open.

Refuelling on to a low fire bed!- If there is insufficient burning material in the fire bed to light a new fuel charge, excessive smoke emission can occur. Refuelling must be carried out onto a sufficient quantity of glowing embers and ash that the new fuel charge will ignite in a reasonable period. If there are too few embers in the fire bed, add suitable kindling to prevent excessive smoke.

Dampers left open:—Operation with the air controls or appliance dampers open can cause excess smoke. The appliance must not be operated with air controls, appliance dampers or door left open except as directed in the instructions.

Fuel Overloading:- The maximum amount of fuel specified in this manual should not be exceeded, overloading can cause excess smoke.

TO LIGHT YOUR STOVE (SOLID FUEL)

Note: on cold days it maybe necessary to warm the flue using two firelighters.

1. Place Firelighters and a few smaller pieces of dry wood (kindling) among a small quantity of fuel in the combustion chamber.
2. Open fully both air controls by sliding levers to the right. The secondary air control is above the stove door and the primary control is below the door. With the two control levers to the right the stove air controls are now fully open. Light firelighters and securely close door.
3. With the fire established, open the door. Fill chamber with fuel, (see weight table on page 4) do not overload. (Do not cover tertiary air ports). Reloading is approximately every 2 hours.
4. Close the fire door, set the primary air to 45% open and set the secondary air to 40% open.
5. Adjust as necessary.

The stove is only suitable for intermittent use only: do not run overnight or for long periods unattended. Experience will determine the settings that produce best results. Use a flue thermostat to check the stove is not overheating. Flue thermostats should be placed directly above the collar of the stove on a non insulated section of pipe. (Efficient operating temperature range is between 100c and 200c) The stove will get very hot during use and due care must therefore be exercised. Please use the glove and operating tool supplied when operating the air controls and door.

TO LIGHT YOUR STOVE (SOLID FUEL)

To re-fuel your stove.

Before refuelling, open the secondary and primary air controls fully.

Open the door gently and de-ash your stove with the use of poker. (not provided)

Add fuel to below the tertiary air bar (see weight table on page 5) and close the door.

Leave the air controls open whilst fuel is established. Set primary air to 45% open and set secondary air to 40% open.

In the event of a chimney fire: Close the air controls and the stove door, and call 999 or your local fire brigade. If your stove is overheating close all air sliders and door, leave until the stove has returned to normal temperature.

INCOMPLETE COMBUSTION

If the air controls on your Loxton 3 stove are closed too much incomplete combustion may lead to a build-up of hard, shiny soot on the inside of your stove and glass. To prevent sooting of the chamber and glass introduce:-

1) more secondary air, **2)** check that your fuel is suitable and dry. **3)** that you have sufficient draw in your chimney.

It is important to check the draft conditions before lighting your stove. This may be done, for instance, by crumpling a piece of newspaper, placing it in the combustion chamber and lighting it. The draft conditions are good if the smoke is drawn away through the chimney.

WOOD FUEL

Good quality wood is the most important factor in your stove working efficiently and cleanly. Always use dry split hardwood firewood (moisture content of 20% or less). The dryness of the firewood plays an important role since the use of wet wood results in poor fuel economy and may cause a tarry sooty film on the internals of the stove. Newly cut wood contains 60–70% water, making it totally unsuitable for use as firewood.

Newly cut wood should be stacked and air dried under cover for two years before being used as firewood.

Do not burn liquid fuels, drift wood, finished, sawn wood, pallet wood, chipboard/plywood, varnished wood or plastic coated wood, wood treated with preservatives, or house hold waste.

SOLID SMOKELESS FUELS-

Mendip Loxton 3 model is suitable for use with good quality registered smokeless fuels and have been fully tested to the relevant European standard. Only use registered smokeless fuels on this stove. Take special note of load quantities in front of this book (page 5).

HOUSE COAL AND PETROLEUM COKE ARE NOT SUITABLE FOR USE ON THIS STOVE. ITS USE WILL INVALIDATE THE GUARANTEE.

PERMANENT AIR VENT

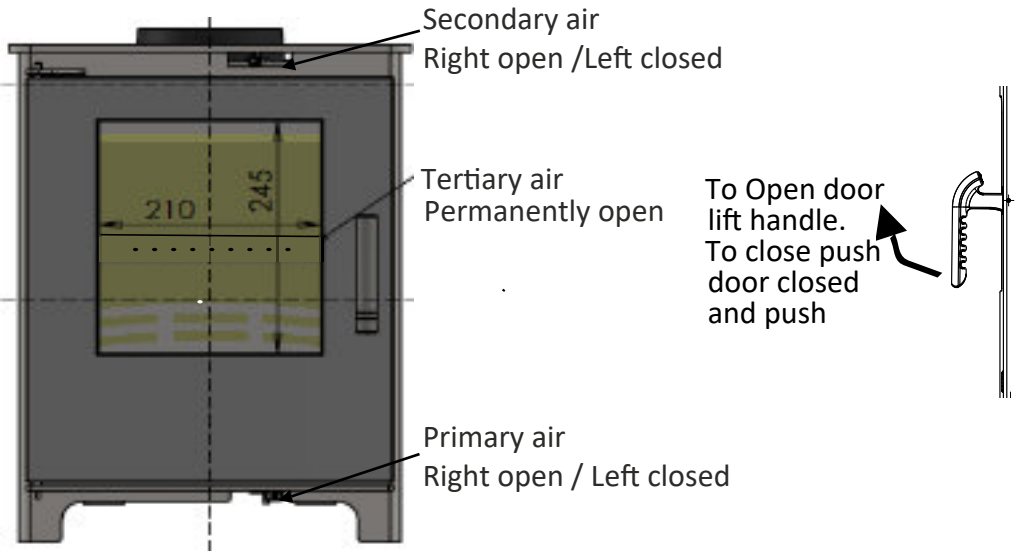
The stove requires a permanent air vent to the room. This is to provide adequate air supply in order for the stove to operate safely and efficiently. In accordance with current Building Regulations the installer may fit a permanent air supply vent into the room in which the stove is installed to provide combustion air. This air vent should not under any circumstances be shut off or sealed.

CHIMNEY FIRES :- If the chimney is thoroughly and regularly swept, chimney fires should not occur. However, if a chimney fire does occur turn the air control setting to the minimum and tightly close the doors of the stove. This should cause the chimney fire to go out in which case the control should be kept at the minimum setting until the fire in the stove has gone out. The chimney and flue ways should then be cleaned. If the chimney fire does not go out when the above action is taken, then the fire brigade should be called immediately. After a chimney fire the chimney should be carefully examined for any damage. Expert advice should be sought if necessary.

CO ALARM :- Your installer should have fitted a CO alarm in the same room as the appliance. If the alarm sounds unexpectedly, follow the instructions given under “Warning Note” above.

SPARE PARTS:- *It is recommended that all spare parts used are only replacement parts recommended by the manufacturer, this will maintain the warranty of your appliance and ensure the correct quality parts are used.*

AIR CONTROLS



When opening the door of your Mendip Loxton stove always wear the glove that is provided to protect your hand from possible heat. The handle has push pull motion as shown, left. When shutting the door push the door closed and push handle firmly until the door latches.

Your stoves parts

Always use the operating tools provided when handling parts likely to be hot when the stove is in use. The Mendip Loxton stove has the following tools and parts packed in the stove

- 1) Stove Glove
- 2) Instruction manual
- 3) Warranty card
- 4) Ash Pan
- 5) Collar heat deflector (to be used when installing close to combustible wall)

MAINTENANCE

Mendip stoves recommend that the Loxton 3 model need to have the ash removed from the stove at regular intervals (weekly if used daily). Allowing the ash pan to over flow can impede the function of the stove and can cause possible damage to the stove grate and ash pan. To remove the ash pan use the ash pan tool to hook under frontal loop of the ash pan drawer. Lift and pull out of firebox chamber. Take care to support the ash pan during movement, always wear a heat resistant glove. Make sure the stove is completely cold before cleaning out ash (embers can remain hot for over 24 hours). Ash must be stored in a non-combustible container and must not be mixed with other combustible waste.

Prolonged non use (summer)

If the stove is to be left unused for a prolonged period of time (e.g. over the summer) then it should be given a thorough clean to remove ash and unburned fuel residues. To enable a good flow of air through the appliance and to reduce condensation and subsequent damage, leave the air controls fully open. It is important that the flue connection, any appliance baffles or throat plates and the chimney are swept prior to lighting up after a prolonged shutdown period.

Annual service

The stove should be serviced by a registered dealer once a year. The stove, the flue pipe connection and the chimney should be checked regularly by a qualified engineer. The chimney should also be checked for blockages before relighting the stove if it has not been used for an extended period of time. Insulating firebricks should be checked for wear and replaced if necessary. Door and ashpan rope seals should be changed annually. Glass clamps and glass should be checked making sure the glass is correctly positioned.

To clean the inside of the stove, remove all ash, soot and tar residue from the combustion chamber. Remove the insulated chamber panels and baffle. Dirt and soot will collect behind it and this must be cleaned out. The paint can wear thin in exposed places due to overheating. This, and other lacquer damage, may be repaired using Mendip paint spray available from your Mendip dealer. To clean the outside of the stove use a dry cloth.

Your stove should be serviced annually by a registered dealer as a condition of the extended warranty of the stove. Failure to maintain a service record will invalidate the extended warranty on your stove.

SWEEPING YOUR CHIMNEY

Ensure that your appliance, flue ways and chimney are swept regularly. This could be incorporated in the service regime of your appliance. Regular sweeping is essential and means at least once a year for smokeless fuels and a minimum of twice a year for wood, if a throat plate is incorporated, it is essential the throat plate is removed and cleaned above and all ashes and debris should be removed. Ensure there is adequate access to cleaning doors where it is not possible to sweep the chimney through the appliance.

Where a chimney has served an open fire installation previously it is possible that the higher flue gas temperature from a closed appliance may loosen deposits that were previously firmly adhered, with the consequent risk of flue blockage. It is therefore recommended that the chimney be swept a second time within a month of regular use after installation of the stove.

Aerosols

Aerosols are flammable and therefore dangerous to use around a lit stove. Do not use aerosol sprays near a lit stove. The use of any aerosol is dangerous and care must be taken in handling them.

Warning Note

If properly installed, operated and maintained this stove will not emit fumes into the dwelling. Occasional fumes from de-ashing and re-fuelling may occur. However, persistent fume emission is potentially dangerous and must not be tolerated. If fume emission does persist, then the following immediate action should be taken:-

- (a) Open doors and windows to ventilate the room and then leave the premises.
- (b) Let the fire go out.
- (c) Check for flue or chimney blockage and clean if required
- (d) Do not attempt to relight the fire until the cause of the fume emission has been identified and corrected. If necessary seek expert advice.

The most common cause of fume emission is flueway or chimney blockage. For your own safety, these must be kept clean at all times.

TROUBLE SHOOTING

1. Fire Will Not Burn - check

- a) the air inlet is not obstructed in any way,
- b) that the chimney and flue ways are clear,
- c) that a suitable fuel is being used,
- d) that there is an adequate air supply into the room,
- e) that an extractor fan is not fitted in the same room as the fire.

2. Fire Blazing Out Of Control - check

- a) the doors are tightly closed,
- b) the air controls are turned down to the minimum setting,
- c) the flue damper is closed (if fitted),
- d) a suitable fuel is being used,
- e) the door seals are in good condition.
- f) the chimney draft may be too strong
- g) check the ash pan seal and
- h) check for ash below the ash pan causing the pan to sit incorrectly and clean it out.

3) Soot forms on the window

- a) The firewood may be too wet
- b) the intake of secondary air may be insufficient
- c) the fire is not hot enough

4) The stove fails to heat fully

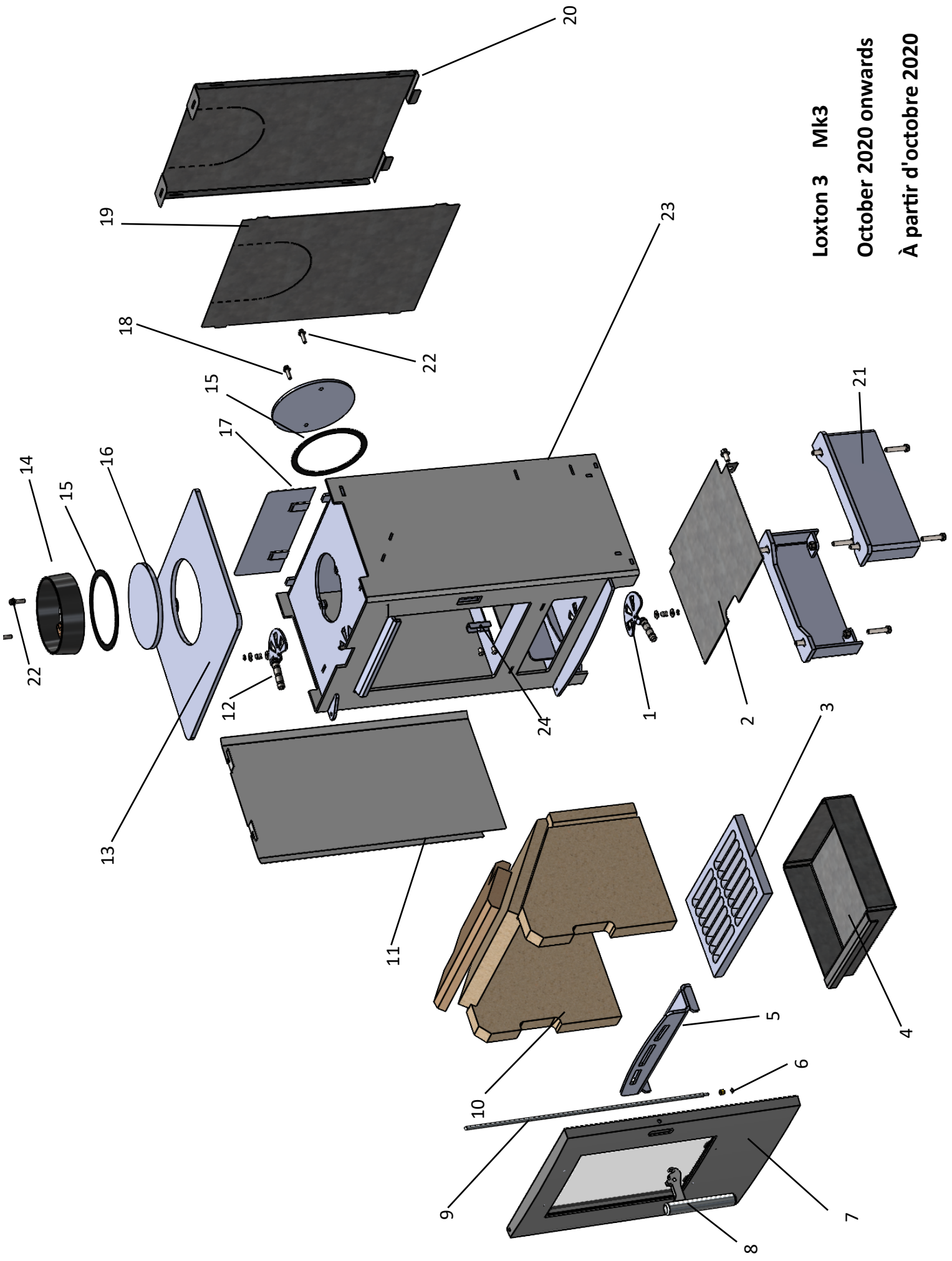
- a) The firewood may be too wet
- b) the intake of secondary air may be insufficient

5) Smoke or odour

- a) Weak chimney draft
- b) check for blockages in the flue pipe/chimney
- c) check the height of the chimney relative to the surroundings

6) Soot in the chimney

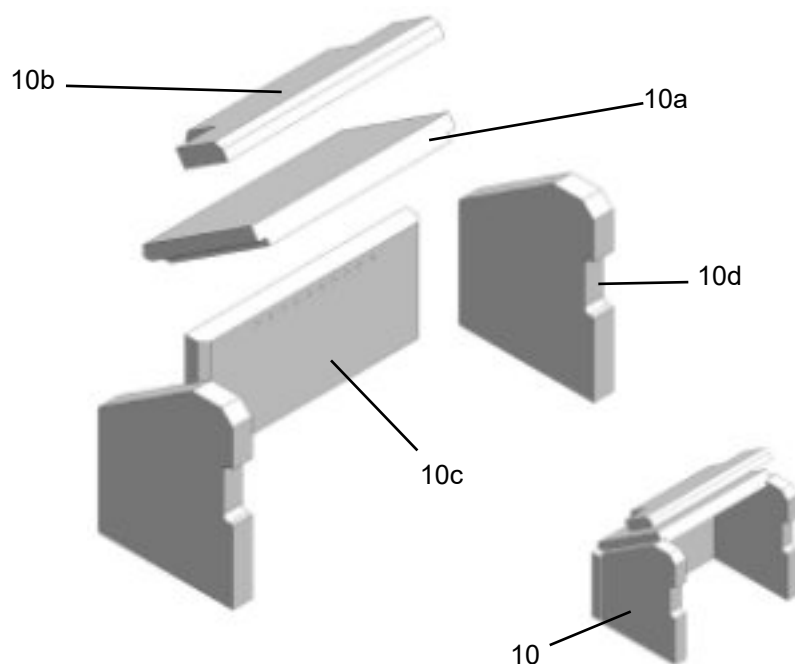
- a) The firewood may be too wet
- b) intake of secondary air may be insufficient



Loxton 3 Mk3
October 2020 onwards
À partir d'octobre 2020

SPARE PARTS

Diagram No.	Part No.	Description
1	M90300-11-38-00-00	Air control lever kit
2	M10300-20-05-00-00	Underside heat shield
3	M90500-05-01-00-00	Cast iron grate
4	M10300-03-00-00-02	Ash pan
5	M10300-04-00-00-02	Log retainer
6	M10300-06-32-99-01	Door hinge rod fixing kit
7	M10300-06-00-00-02	Complete door assembly
	M10300-06-02-01-01	Door rope seal
	M10300-01-02-01-01	Glass rope seal
	M10300-01-01-99-01	Glass pane
	M10300-01-08-99-01	Glass clamp kit
	M10300-06-01-00-01	Cast iron door (door only)
8	M10300-06-05-99-02	Door handle kit & fixing kit
9	M10300-06-32-99-01	Door hinge rod fixing kit
10	M10300-02-00-99-01	Complete brick set
10a	M10300-02-04-99-00	Baffle brick
10b	M10300-02-05-99-01	Inner baffle brick
10c	M10300-02-03-99-01	Rear brick
10d	M10300-02-24-99-01	Side brick (pair)
11	M10300-20-18-00-00	Convection side panels (pair)
12	M10560-11-28-99-00	Air control handle
13	M01300-22-01-00-01	Top plate
14	M90500-07-05-00-03	Cast flue collar
15	M90500-07-10-01-01	Collar & blanking plate seal
16	M10300-07-02-00-00	Cover plate
17	M10300-20-10-00-00	Collar heat shield
18	M10560-07-02-00-00	Flue exit blank plate
19	M10300-20-03-99-01	Inner rear heat shield
20	M10300-20-06-99-01	Outer rear heat shield



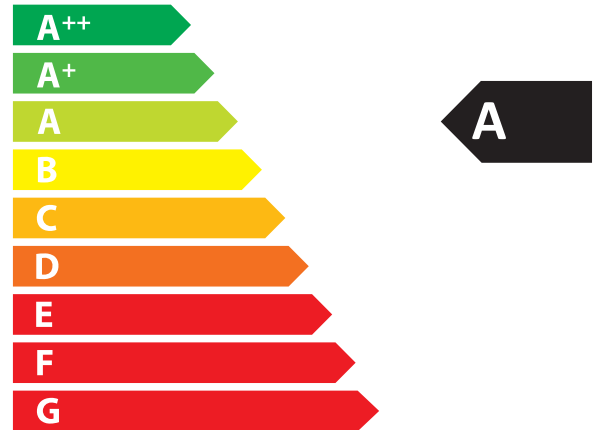
Name: Nom:	Mendip Beltane	Loxton 3 Brue
Product Code: Code de produit:	M00301-00-00-00-04 B00300-00-00-00-02	
Nominal Output: W/A Puissance nominale: B/C	4.0kW / 4.3kW	
Specified Fuels: Carburants précisés:	Wood/smokeless briquetted fuel Bois/Charbon sans fumée	
Efficiency: W/A Rendement : B/C	78.4% / 81.3%	
NOx (at 13 % O ₂) Nmg/m ³ Particulaes (at 13 % O ₂) Nmg/m ³	98(W) 122(M) 22(W) 13(M)	
CO Concentration at 13% O ₂ : Concentration de CO à 13% O ₂	0.05%(W) / 0.04%(M)	
Distance to combustibles: Distance de sécurité:	Side/Latérales = 450mm Rear/Arrière = 125mm	
D.to C. with convection panels: Avec des panneaux de convection:	Side/Latérales = 350mm Rear/Arrière = 125mm	
BS EN 13240:2001+A2:2004		UK CA
For intermittent burning only. Use only Specified fuels. Not to be used on a shared flue. Year of certificate: 2023 Please read and keep your instruction manual safe W= wood A= anthracite/smokeless briquetted fuel		
Serial No:	ESM Serial No	



ENERGY

Mendip Stoves

Loxton 3



4.0
kW

2015/1186



Mendip Stoves Ltd

Unit H1,
Mendip Industrial Estate,
Mendip Road, Rooksbridge, Somerset
BS26 2UG

Tel: 01934 750 500

www.mendipstoves.co.uk

E-mail : info@mendipstoves.co.uk

