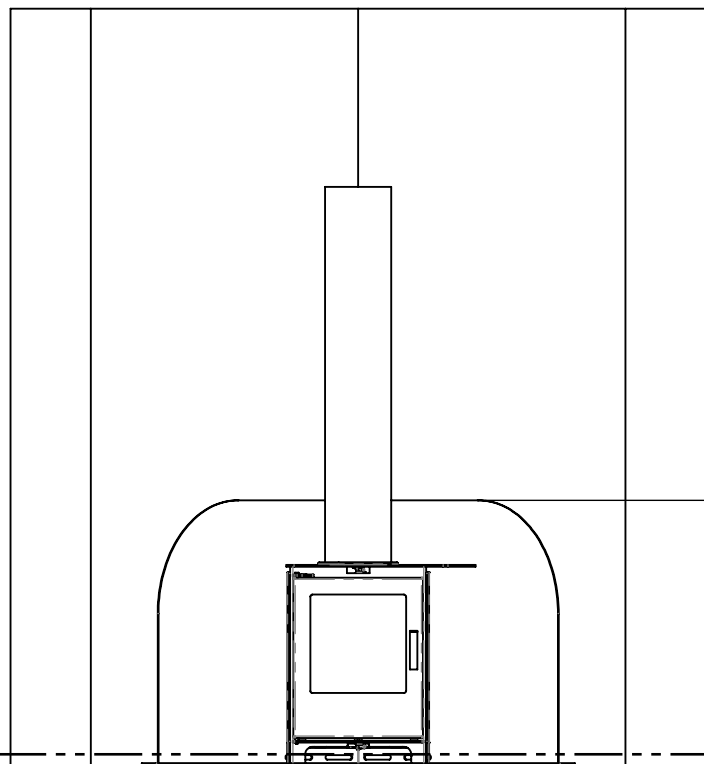
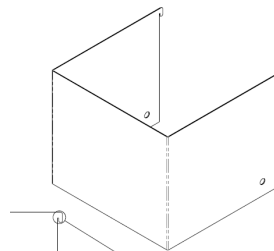


WHEN A LOXTON 3 / BRUE STOVE IS PLACED IN AN ENCLOSURE WITH COMBUSTIBLE WALLS BEHIND .A CONVECTOR BOX MUST BE USED ON REAR TO VERTICAL ADAPTER AND ADDITIONAL SIDE CONVECTION PANELS FITTED . ENSURE THE CONVECTOR BOX IS FITTED 50 MM FROM ENCLOSURE WALLS.

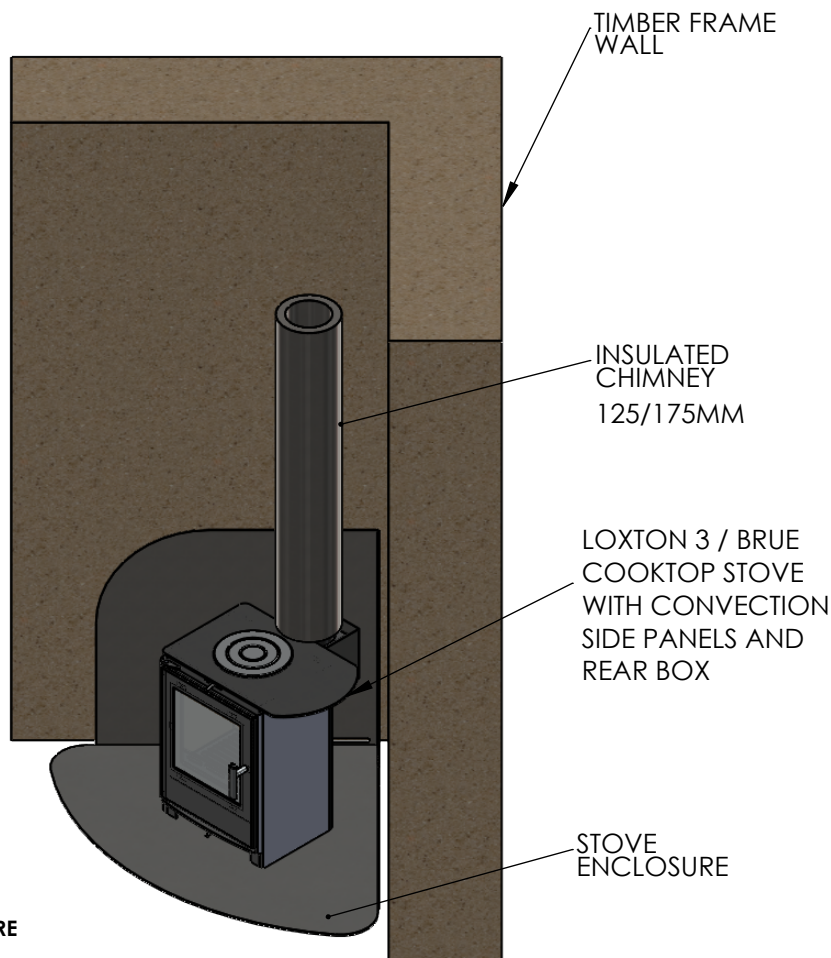
PART NO: 230-10-92



LOXTON 3 COOKTOP
PART NO: M00305-00-00-00-00
LOXTON 3 COOKTOP LOGSTORE
PART NO: M00306-00-00-00-00

BELTANE BRUE COOKTOP
PART NO: B00304-00-00-00-00
BELTANE BRUE COOKTOP LOGSTORE
PART NO: B00305-00-00-00-00

CONVECTOR PLUS KITS
LOXTON 3 / BELTANE BRUE
PART NO: M10300-20-18-00-00



DIMNS	0.5 - 3mm	±0.2mm	0.5 - 3mm	±0.4mm
DIMNS	>3 - 6mm	±0.3mm	>3-6mm	±1mm
DIMNS	>6 - 30mm	±0.5mm	>6mm	±2mm
DIMNS	>30-120mm	±0.8mm	REMOVE ALL BURRS & SHARP EDGES	
DIMNS	>120-400mm	±1.2mm		
DIMNS	>400-1000mm	±2mm		
DIMNS	>10-50°	±1°		
ANGULAR DIMENSIONS				
	0-10°	±1.5°		
	10-120°	±0.5°		
	>120-400°	±0.33		

DRAWN BY: MM
DATE: 15/07/2024

C DRAWING IS COPYRIHT . IT MAY NOT BE USED, COPIED OR PRINTED WITHOUT WRITTEN PERMISSION
ALL DIMENSIONS ARE MM

Eurostove
Unit H1, Mendip Industrial Estate
Mendip Road
Rooksbridge, Somerset BS26 2UG
Email:- info@eurostove.co.uk
Telephone No. - 01934 750500
ALTERNATIVE PART NO.

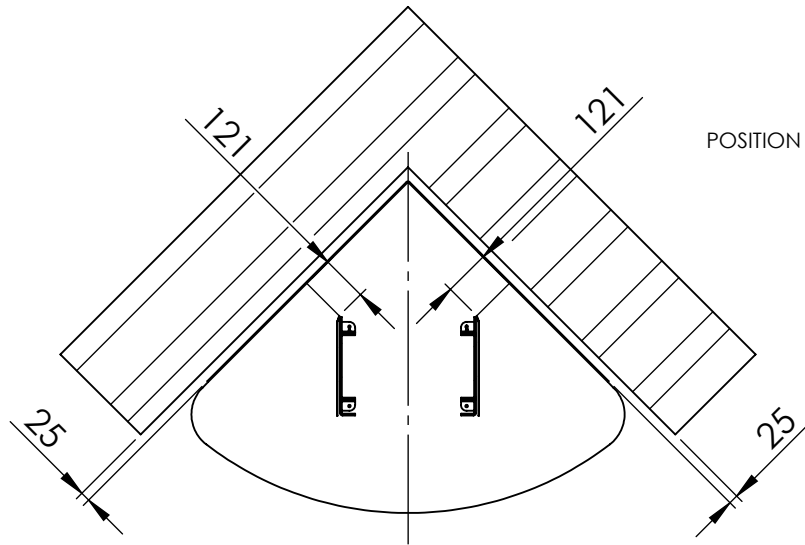
Project: **LOXTON 3 /BRUE**
Title: **LAYOUT DRAWING**

Drawing Sht.: Rev.: **0**

WEIGHT:- 11269647.91 GRAMS

FINISH:-

SCALE: 1:20



POSITION OF STOVE ON THE BASE PLATE

SECTION A-A



UNSPECIFIED TOLERANCES:-	
LINEAR DIMENSIONS	
DIMN.S	0.5 - 3mm ±0.2mm
DIMN.S	>3 - 6mm ±0.3mm
DIMN.S	>6 - 30mm ±0.5mm
DIMN.S	>30-120mm ±0.8mm
DIMN.S	>120-400mm ±1.2mm
DIMN.S	>400-1000mm ±2mm
ANGULAR DIMENSIONS	
0-10° ± 1.5°	>10-50° ± 1
>50-120° ± 0.5°	>120-400° ± 0.33°
MATERIAL:- N/A	

EXT. RADII & CHAM DIMS	0.5 - 3mm ±0.4mm
	>3-6mm ±1mm
	>6mm ±2mm
REMOVE ALL BURRS & SHARP EDGES	
DRAWN BY:-	MM
DATE:	15/07/2024
SCALE:	1:20

©DRAWING IS COPYRIGHT. IT MAY NOT BE USED, COPIED OR PRINTED WITHOUT WRITTEN PERMISSION

ALL DIMENSIONS ARE MM

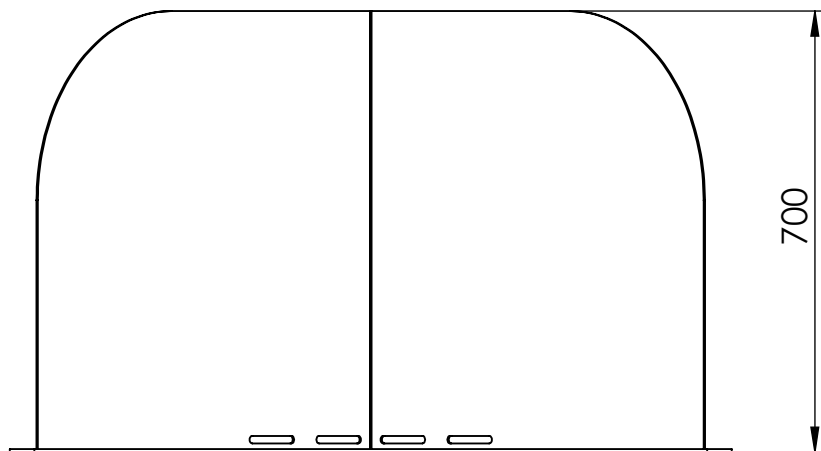
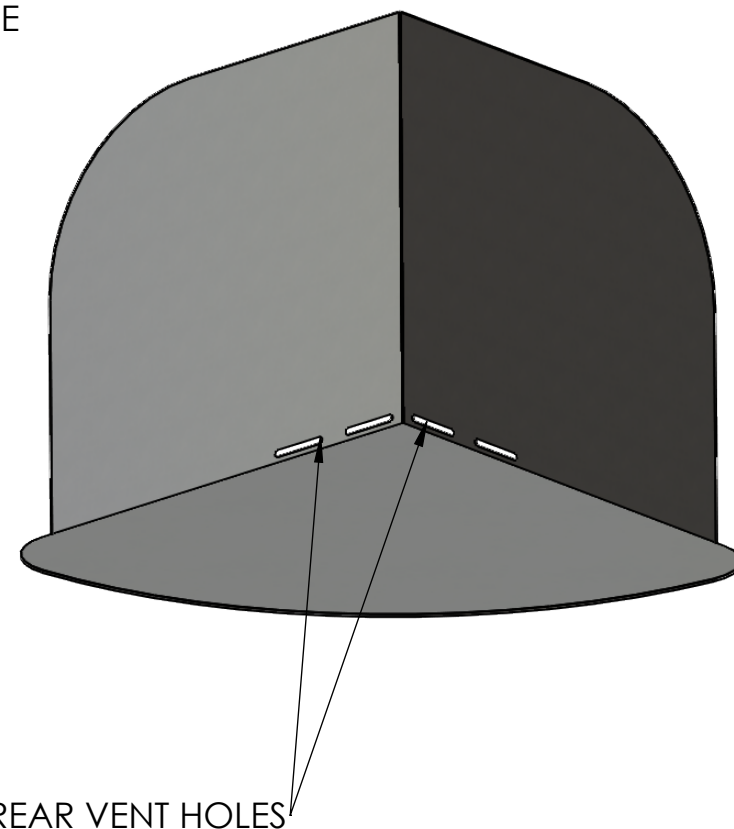
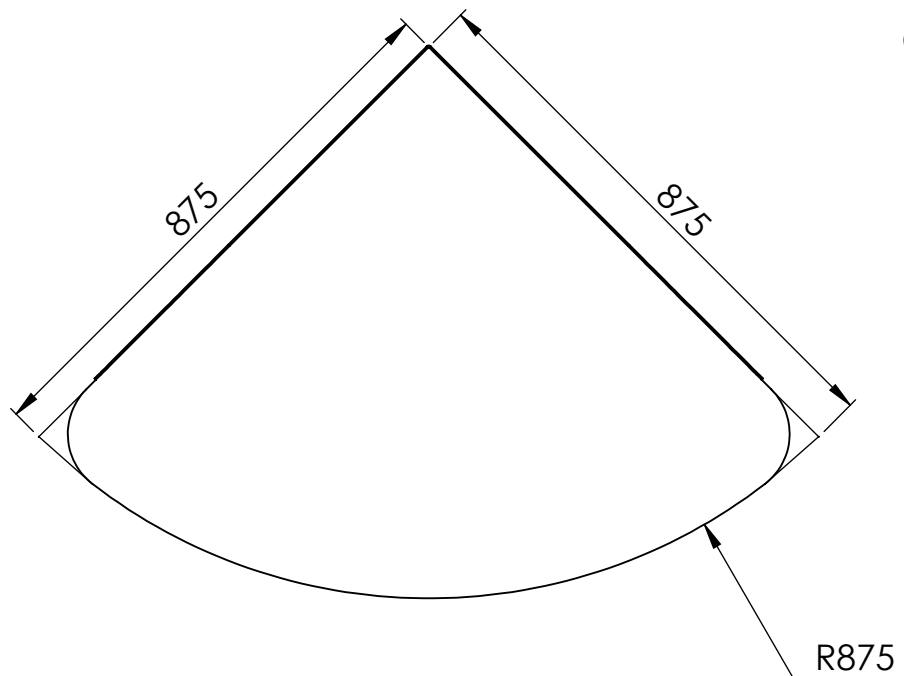
Third angle projection
DO NOT SCALE
If in doubt ask

FINISH:- N/A

Eurostove
Unit H1, Mendip Industrial Estate
Mendip Road
Rooksbridge, Somerset BS26 2UG
Email:- info@eurostove.co.uk
Web Address:- eurostove.co.uk
Telephone No. - 01934 750500
ALTERNATIVE PART NO.
WEIGHT:- 11269647.91 GRAMS

Project:	LOXTON 3/ BRUE	
Title:	LAYOUT DRAWING	
Drawing Number:	230-000-000-1	Sht.: 2/3 Rev.: 0

COMPLETE ENCLOSURE
PART NO: 230-10-88



REAR VENT HOLES

WHEN ENCLOSURE IS PLACED ON
A COMBUSTIBLE FLOOR (WOOD)
AN ADDITIONAL 8MM BASE PLATE
IS REQUIRED TO GIVE A FLOOR
PLINTH OF 13MM
PART NO: 230-10-93



UNSPECIFIED TOLERANCES:-	
LINEAR DIMENSIONS	
DIMN.S 0.5 - 3mm	±0.2mm
DIMN.S >3 - 6mm	±0.3mm
DIMN.S >6 - 30mm	±0.5mm
DIMN.S >30-120mm	±0.8mm
DIMN.S >120-400mm	±1.2mm
DIMN.S >400-1000mm	±2mm
ANGULAR DIMENSIONS	
0-10° ± 1.5°	>10-50° ± 1°
50-120° ± 0.5°	>120-400° ± 0.33°
MATERIAL:- N/A	

EXT. RADII & CHAM DIMS	0.5 - 3mm ±0.4mm
	>3-6mm ±1mm
	≥6mm ±2mm
REMOVE ALL BURRS & SHARP EDGES	
DRAWN BY:-	MM
DATE:	15/07/2024
SCALE:	1:12

©DRAWING IS COPYRIGHT. IT MAY NOT BE USED, COPIED OR PRINTED WITHOUT WRITTEN PERMISSION

ALL DIMENSIONS ARE MM

Third angle projection
DO NOT SCALE
If in doubt ask

FINISH:- N/A

Eurostove
Unit H1, Mendip Industrial Estate
Mendip Road
Rooksbridge, Somerset BS26 2UG
Email:- info@eurostove.co.uk
Web Address:- eurostove.co.uk
telephone No. - 01934 750500
ALTERNATIVE PART NO.
WEIGHT:- 11269647.91 GRAMS

Project:	LOXTON 3/ BRUE
Title:	LAYOUT DRAWING
Drawing Number:	230-000-000-1
Sheet:	3/3
Revision:	0